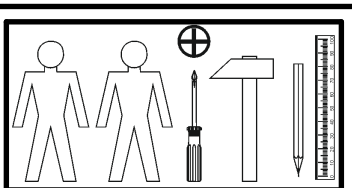
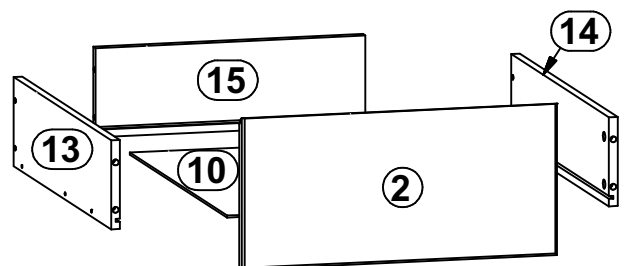
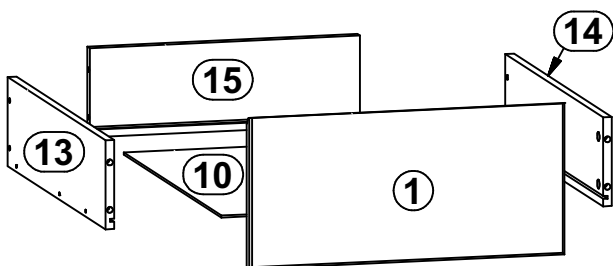
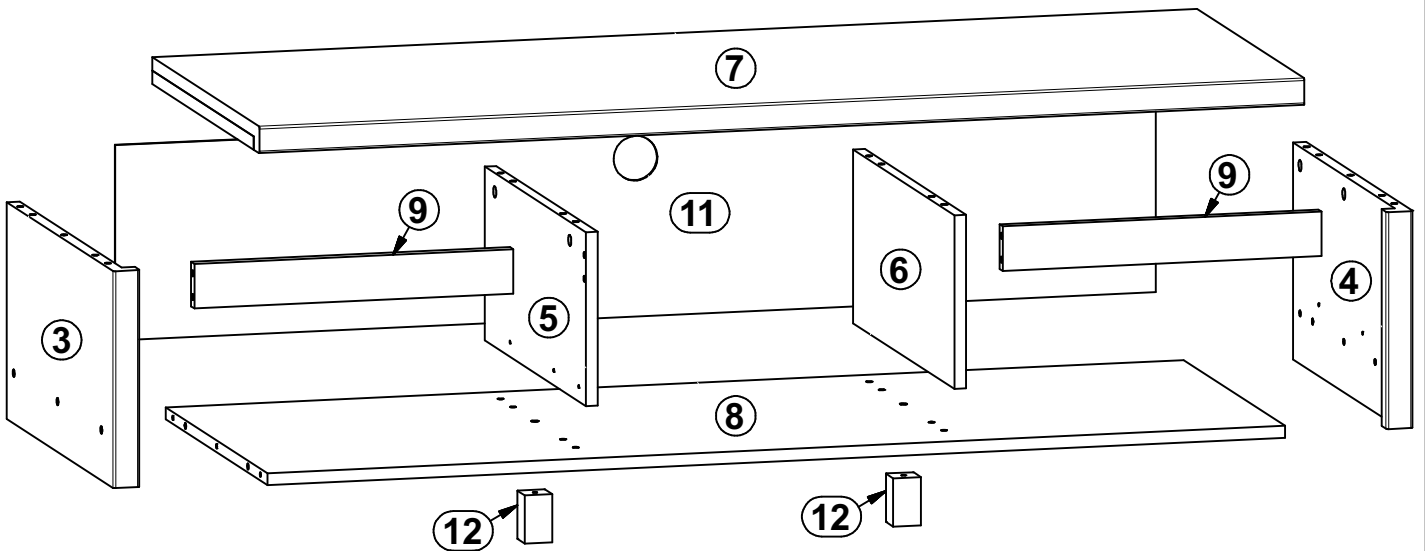
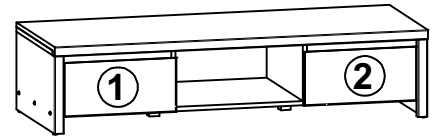


# KASPIAN 2

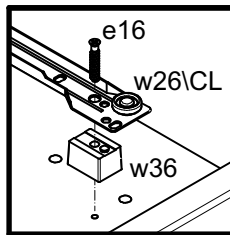
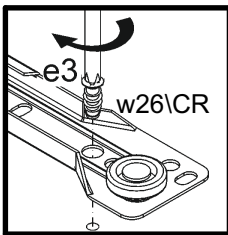
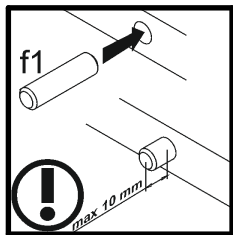
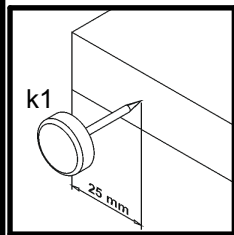
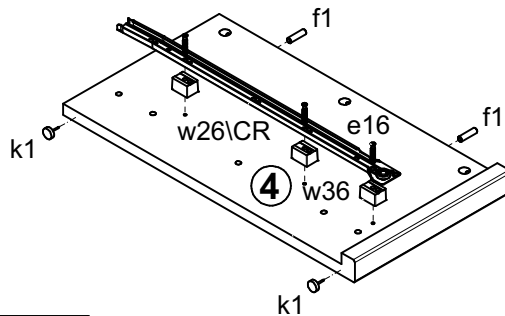
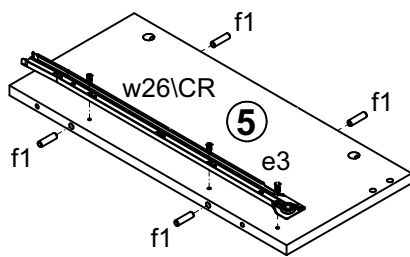
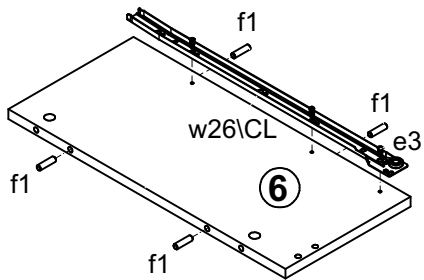
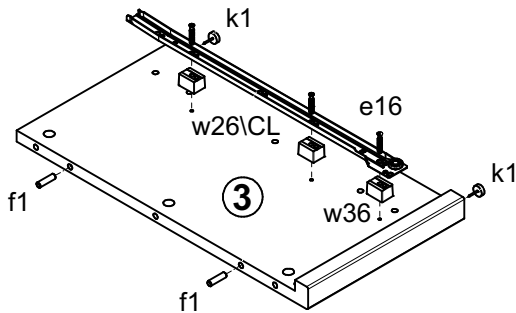
# S128-RTV2S

A	B	C	D	
1	S128-0014	432	204	2/2
2	S128-0015	432	204	2/2
3	S128-124	292	546	1/2
4	S128-125	292	546	1/2
5	S128-126	234	519	1/2
6	S128-127	234	519	1/2
7	S128-208	1432	549	1/2
8	S128-314	1395	520	1/2
9	S128-408	437	60	1/2
10	S128-9915	372	498	1/2
11	S128-916	263	1426	1/2
12	ZN1-501	65	38	1/2
13	BP-501	500	120	1/2
14	BP-502	500	120	1/2
15	ZP-5507	362	120	1/2

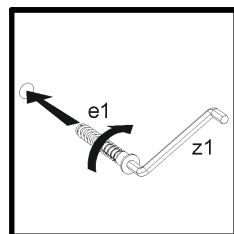
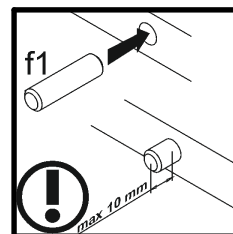
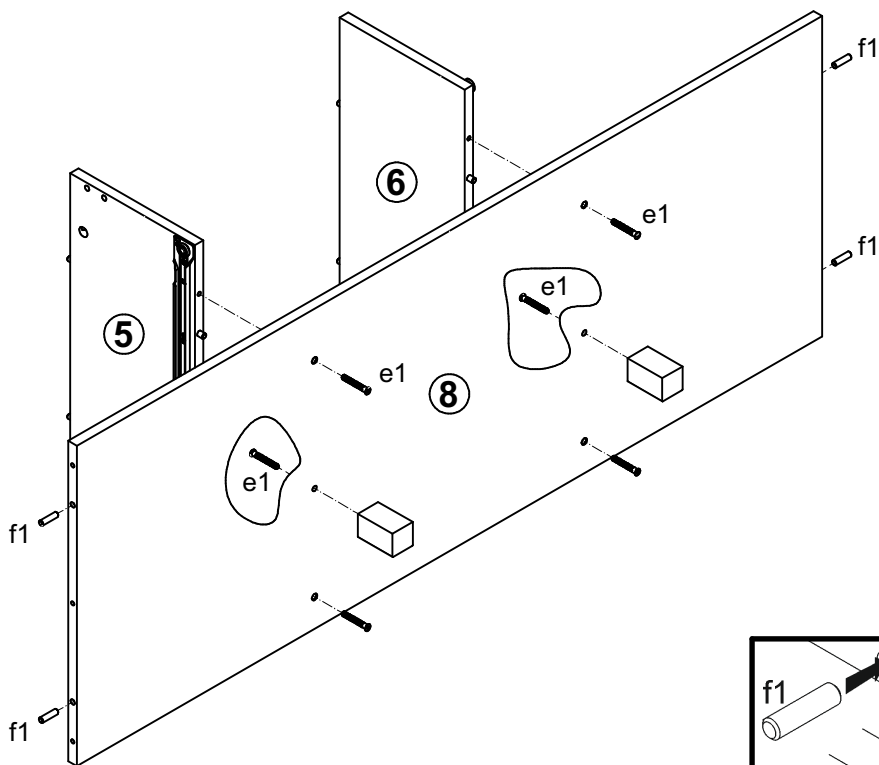


12x φ7x50 mm e1	6x φ6x30 mm e16	12x φ5x9 mm e19	6x φ6x13 mm e3	24x φ8x30 mm f1	8x φ6.5x40 mm f25	4x k1	40x l1	18x φ1.5x12mm #16 r1
18x r42	6x s1	2x 500 mm w26\CL	2x 500 mm w26\CR	2x 500 mm w26\DL	2x 500 mm w26\DR	6x h=18 mm w36	1x z1	

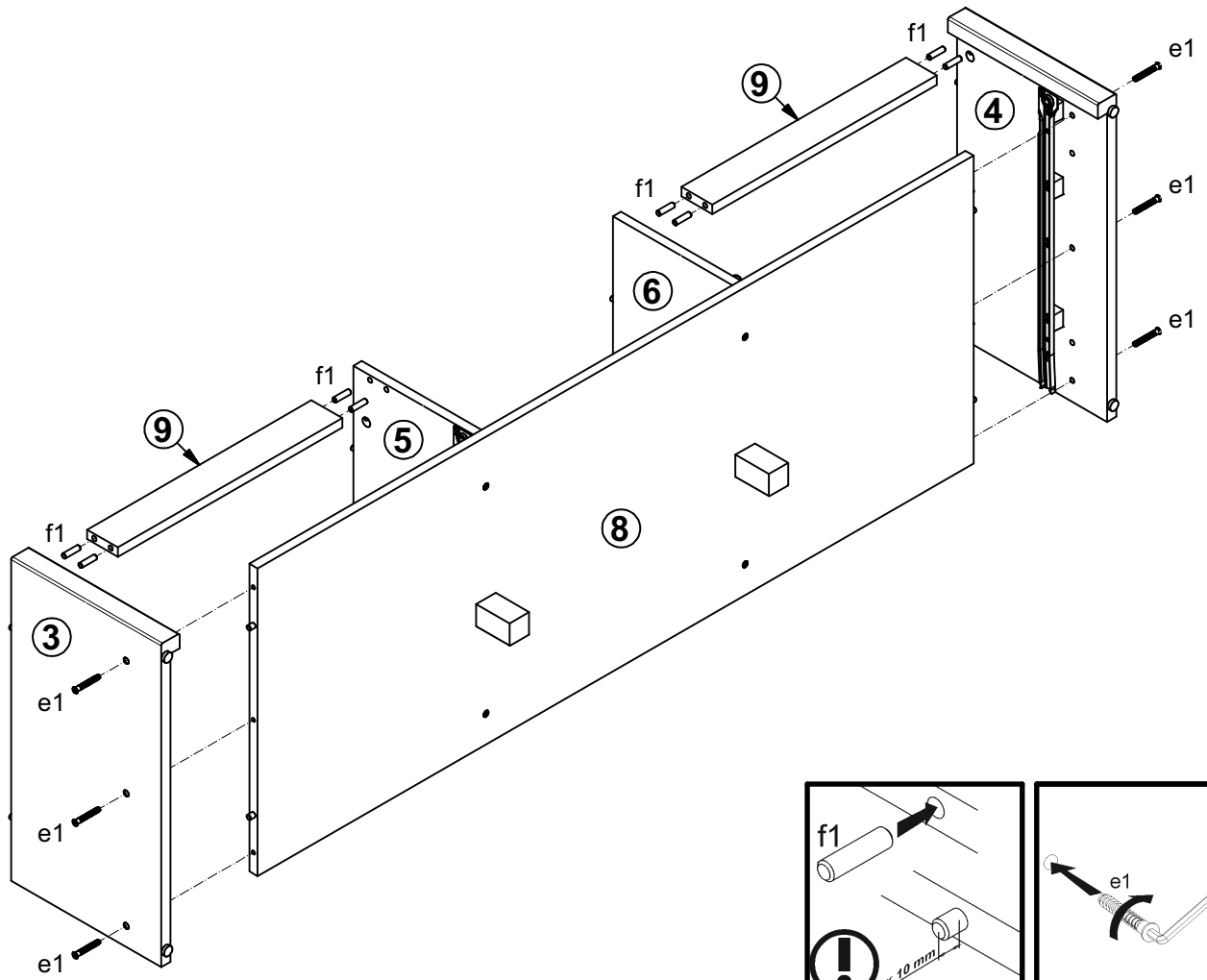
# 1



# 2



# 3



# 4

